

**FLOATING**

**3** Piece  
Body



FLOATING

FLOATING

# FLOATING Ball Valves

## FLOATING Ball Valves

As a result of many years of experience in valve design, engineering and manufacturing, LVF is now proud to announce a new generation of small bore floating ball valves, based on PTFE seat material, suitable to match both low and high pressure applications by overcoming peek & devlon chemical composition shortcoming that under certain service conditions might lead to an uncontrolled seat area expansion with consequent valve seizing.

Our new design, completely and definitely resolves this potential issue.

## DATAMATRIX info

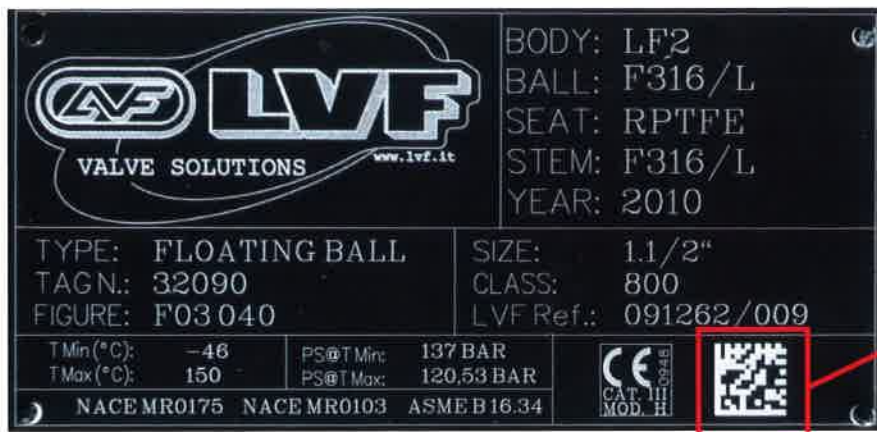
LVF S.p.A. also introduces our new nameplate design, incorporating the DATAMATRIX code.

### What is DATAMATRIX?

It's the new generation of BAR CODES – readability is improved, through a dedicated DATAMATRIX reader, or thanks to special applications, also available for mobile phones (i.e. iPhone), main information such as PO number, Serial No and Item No, can be stored in the DATAMATRIX.

### Why DATAMATRIX?

Just input DATAMATRIX into LVF S.p.A. web-site, into the restricted area and download relevant valves' certificates. With even more new useful features currently being developed full traceability & data Information will arrive soon: time saving and efficiency improvement.



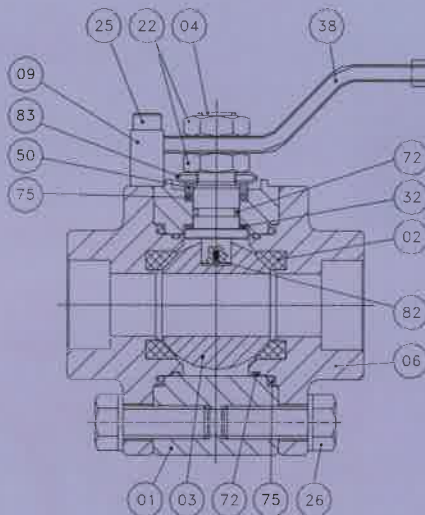
## CERTIFICATION



## FLOATING BALL VALVES from 1/4" to 2"

POS. PARTICULAR NAME

01	BODY
02	SEAT
03	BALL
04	STEM
06	FLANGE
09	STOP PIN
22	NUT
25	SCREW
26	BOLTS
32	THRUST BEARING
38	LEVER
50	PACKING GLAND
72	O-RING
75	GASKET
82	ANTISTATIC DEVICE
83	SPRING WASHER



1500# - 2500# lbs

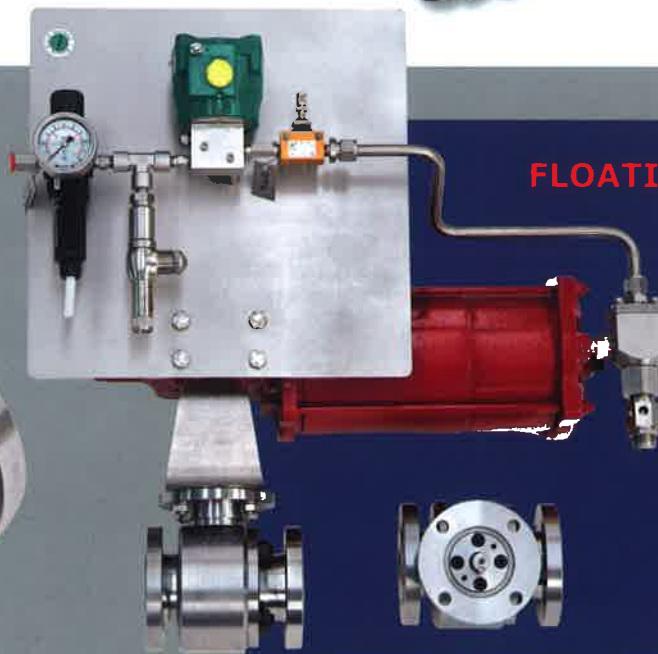


up to 800# lbs

### FLOATING Ball Valves

Housing Design: Split Body Lever Operated  
Rating: 800# - 1500# - 2500#  
Nominal Size: 1/4" - 2"  
Port Design: Reduced Bore / Full Bore

**SPECIAL DESIGN** for 1/4" to 2" Floating Ball Valves ready to take actuator



### FLOATING Ball Valves

Housing Design: Split Body  
Operator: Pneumatic Actuator  
Rating: 150  
Nominal Size: 1 1/2"  
Port Design: Full Bore  
End Connection: Flanged Ends





**LVF spa**

Via Giuseppe Mazzini, 6  
24060 SAN PAOLO D'ARGON (BG) - Italy  
P.Iva 03076750169  
Tel. +39 035 4255211  
Fax +39 035 959210  
email: [info@lvf.it](mailto:info@lvf.it) - [www.lvf.it](http://www.lvf.it)